



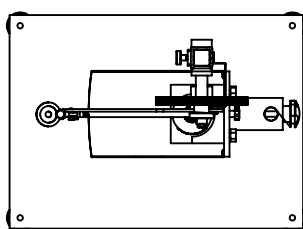
## Impact Tester for Glass Bottles



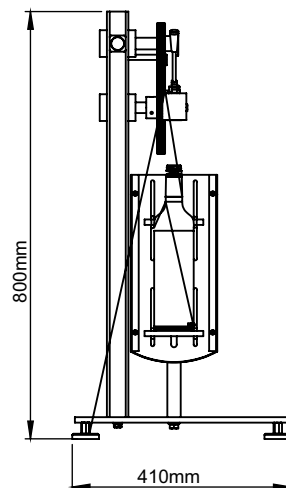
### Model PITGB -0140

Impact Tester for Glass Bottle delivers a reproducible force for measuring the impact resistance of glass containers. This device is easy to use and produces reliable test results.

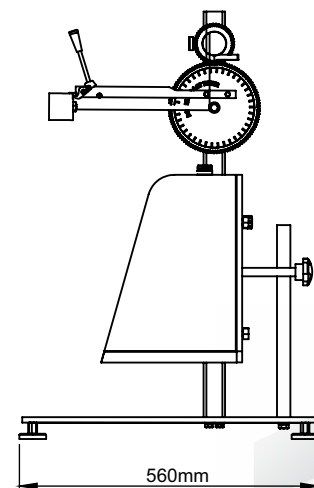
- Impact level is adjustable over a range of upto 2.6 Newton / Meter available energy
- Anti-friction needle bearings provide accurate alignment with minimum inertia
- Rigid, light-weight suspension carries permanently aligned pendulum assembly
- Head is designed to maximize the impact force applied to the bottle
- Stainless steel collet chute retains fragments from rigid containers while the shell design eliminates interference with testing
- Steel backstop with adjustable positioning guide
- Screw and crank provide rapid, accurate, and reproducible height adjustment



Top View



Front View



Side View



# Presto Stantest Pvt. Ltd.

I-42, DLF Industrial Area Phase-1, Delhi Mathura Road, Faridabad 121003, Haryana, India  
P : 9210 903 903, +91 129 4272727, 93111 24302 E : info@prestogroup.com

• Faridabad • Sonapat • Kolkata • Mumbai • Pune • Ahmedabad  
• Chennai • Bangalore • Hyderabad

[www.prestogroup.com](http://www.prestogroup.com)



## Key Specifications:

Test Load	61 gm $\pm$ 5gm, 68 gm $\pm$ 5gm, 250gm $\pm$ 10gm,
Bottle Sample Clamp	Adjustable upto 200 mm
Pendulum Shaft height	250 mm $\pm$ 5mm
Scale Range	upto 90 Degree
Scale Least Count	1 Degree

## Highlights:

Material	Mild Steel / Stainless Steel
Finish	Powder coated Havel Gray & Blue combination finish and bright chrome / zinc plating for corrosion resistant finish
Pendulum Releasing Mechanism	Spring operated manually
Test Load	3 nos.
Pendulum rotation	Through Gear System
Dimensions	410 x 560 x 800 mm

Thank you customers for choosing us as your partners in growth !



\*All the above logos are the sole property of their respective owners and are used purely for depiction purposes only.

## OUR OTHER PRODUCTS :-

					
Top Load Tester	Wall Thickness Gauge	Gloss Meter Triangle	Eccentricity Tester	Moisture Analyzer MB 45	Preform Neck Cutter

