

# Torque Tester – Prima (Hand Operated)

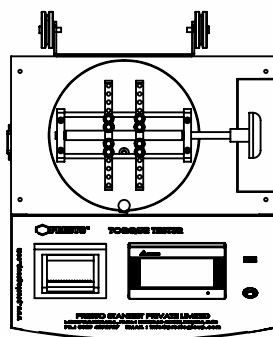
## Touch Screen with Printer & Computer USB facility



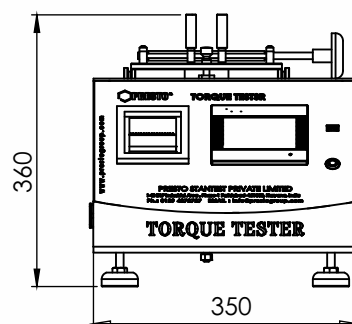
### Model No. PTT - 0104 (Prima)

**Torque Tester – HMI Touch Screen** is a new generation fully automatic Torque tester. It gives Torque in digital format. The HMI display is a high end sophisticated read out with Auto Tare (ZERO) set facility and Peak Hold arrangement. The test sample is placed in between the anti-slip holders/pegs for strong holding of test sample.

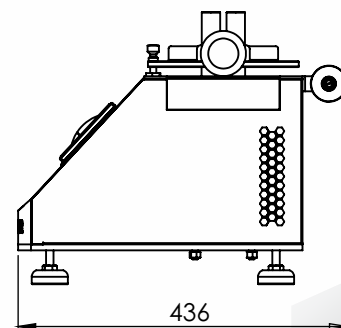
- Strong clamping pegs/holders for zero slip gripping support and Adjustable fixture to test different size bottles
- HMI Colour Display for accuracy and repeatability
- Excellent system control with latest HMI touchscreen
- Program profile for selecting test parameters and performing the test.
- Current test running status display
- Highly accurate test results and calculate the test in average also.
- Fully automatic test after easy settings
- Easy to access Inbuilt self-calibration facility
- Selectable torque unit.
- 10 Sample readings can be seen on display
- Thermal Print report



Top View



Front View



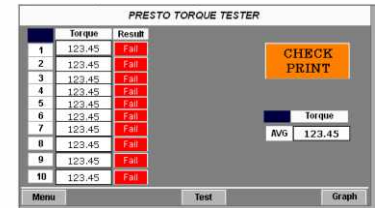
Side View

**Key Specifications:**

Max. Torque Range	100 lb inch
Accuracy	± 0.50 lb-Inch (with master weight)
Least Count/Resolution	0.01 lb inch
Power	220V, Single phase, 50 Hz
Display	HMI TFT Screen 4.3 Inch
Torque Unit	lb Inch / Nm
Minimum Diameter for specimen holding	20 mm
Maximum Diameter for specimen holding	130 mm
Max.size of test bottles to be tested	2.5 litres
Sample Size	Min. height 25 mm
Anti-vibration pad	Specially designed to reduce the effect of the vibration



Main Screen



Test Report

**Highlights:**

Safety	Yes (over load protection)
Data Out put (USB)	USB option available for storing test data Time / Date / Torque / Pass / Fail status
Print Report	<ul style="list-style-type: none"> <li>Thermal Print report</li> <li>Date / Time / Test result</li> </ul>
Calibration Kit	Inbuilt Calibration fixtures with 10 & 20 Lbs weights



Test Data Save to USB



Test Report in Graph

**Optional :**

- Digital Torque Tester & Motorised models available in various range on request

Thank you customers for choosing us as your partners in growth !



\*All the above logos are the sole property of their respective owners and are used purely for depiction purposes only.

**OUR OTHER PRODUCTS :-**



Head Office :

**Presto Stantest Private Limited**

I-42, DLF Industrial Area Phase-1, Delhi Mathura Road, Faridabad 121003, Haryana, India

P : +91 129 4272727 (100 Lines) E : info@prestogroup.com

- Faridabad • Kolkata • Mumbai • Pune • Ahmedabad • Chennai • Bangalore

