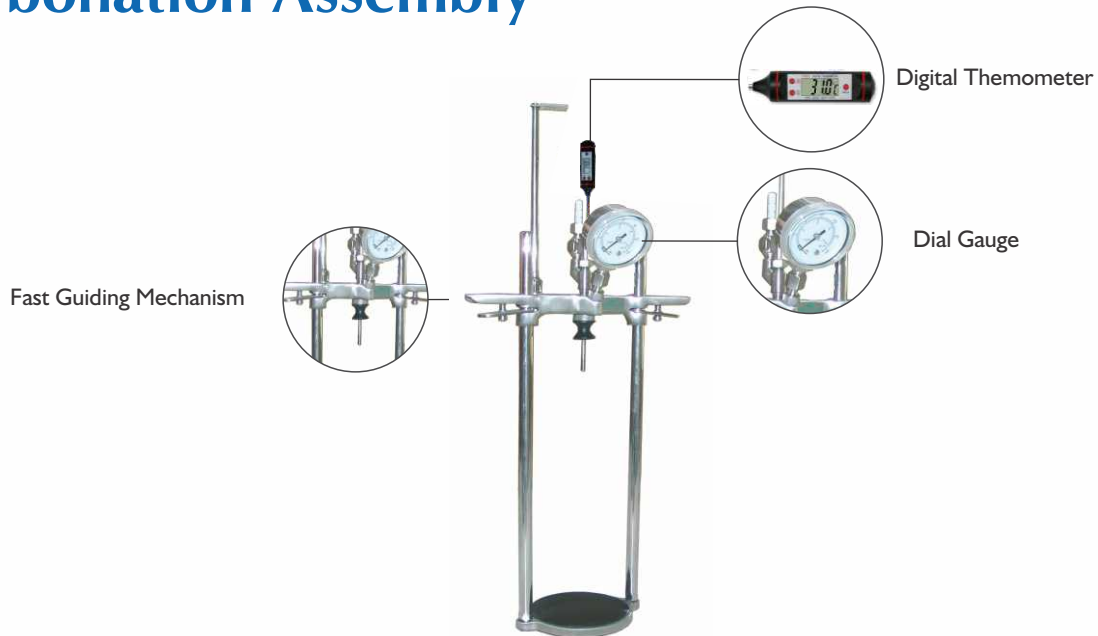


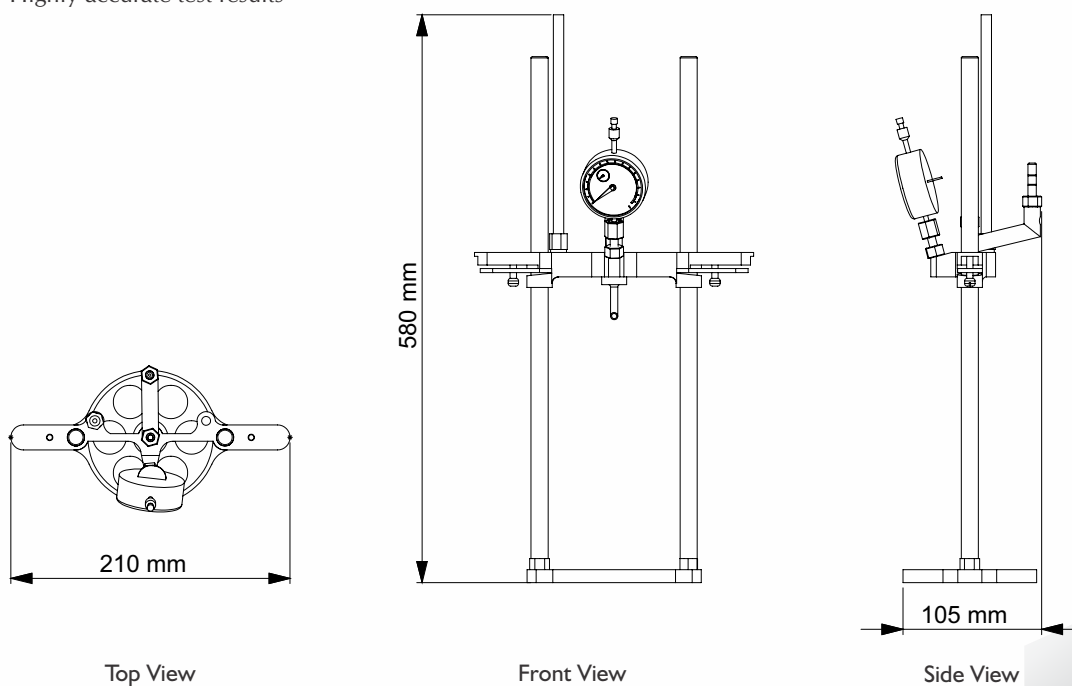
Carbonation Assembly



Model No. PCM - 0120

Carbonation Assembly is a consistent tool useful for determining the pressure and temperature of carbonated drinks. Accurate and reliable testing assembly in PET Bottles industry.

- High Quality rugged structure with corrosion resistant main body
- Dial gauge to measure the pressure
- Light weight and resilient
- Digital Thermometer inserted through piercing needle
- Fast Guiding Mechanism with locking clip
- Single handed hassle free operation with Spherical Indenter
- Highly accurate test results



Key Specifications:

Pressure Gauge Range	0 – 4.2 Kg/cm ² or 0 – 60 psi
Digital Temperature Gauge Range	Upto 300°C
Height of Span	350 mm
Diameter	95.5 ± 0.5 mm

Highlights:

Dial Gauge	1
Locking screw	Yes
Material of Main Body	Stainless Steel
Dimensions	580x210x105 mm
Digital Temperature Thermometer	1

PRESTO Carbonation Assembly tester is equipped with spherical indenter which indents the sample under punch assembly using pressing tool. The readings are thereafter noticed on respective gauges.

Optional :

- Carbonation assembly other size also available on request.
- GV Shaker also available

Thank you customers for choosing us as your partners in growth !



*All the above logos are the sole property of their respective owners and are used purely for depiction purposes only.

OUR OTHER PRODUCTS :-



Head Office : Presto Stantest Private Limited

I-42, DLF Industrial Area Phase-I, Delhi Mathura Road, Faridabad 121003, Haryana, India
P : +91 129 4272727 E : info@prestogroup.com

Branches :

Mumbai

503-504B, Fair link Centre, Opp. Fame Adlab
Behind Mongini's Off Link Road
Andheri (West), Mumbai 400058
P : +91 022 42957052, 42957053
E : west@prestogroup.com

Kolkata

93, 3rd Floor, Karnani Estate
209, A.J.C. Bose Road
Kolkata-700017. West Bengal
P : +91 033 40612012
E : east@prestogroup.com

Chennai

A-3, First Floor, Sri Sathya Sai Building
755, Poonamallee High Road, Kilpauk
Chennai- 600 010. Tamil Nadu
P : +91 044 43865260, 43838372
E : south@prestogroup.com

